

Abeyance A220 & Extended Height E264

Simple, Secure -190°C LN2 Vapor Storage

Designed For *Samples By Users*



Capacity

10-30% More Samples
Highest Storage Density
Lowest LN2 Usage Per Sample



Ergonomics

Cryo LED & Auto Fog Clear
Full Sample Visibility
Low Liftover Height | Workspace

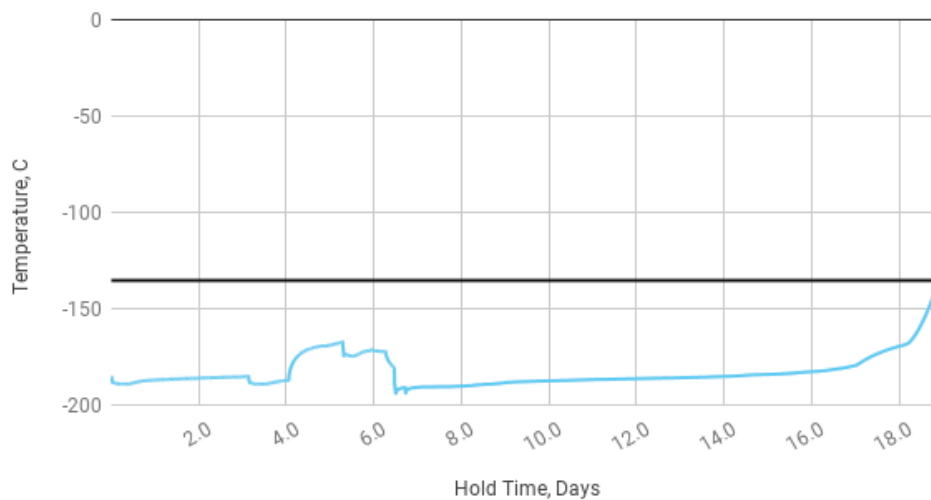


Connected

Touchscreen with WiFi / LAN
Text & Email Alerts | Cloud Backup
Redundant Remote Monitoring



A220 Temperature Test



- Top Box Temperature
- -135°C (Tg)

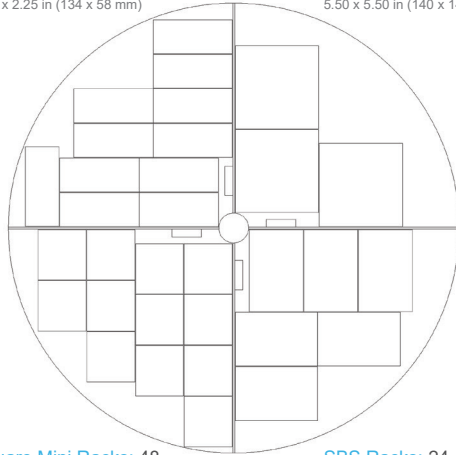
Storage Temperature: -190°C
Lid Open Temperature: < -165°C
Hold Time < Tg: > 10 Days

Temperature test performed with 2 ml vial inventory and default vapor storage settings

Vial Inventory:

2 ml Slim Racks: 44
5.28 x 2.25 in (134 x 58 mm)

Square Racks: 12
5.50 x 5.50 in (140 x 140 mm)



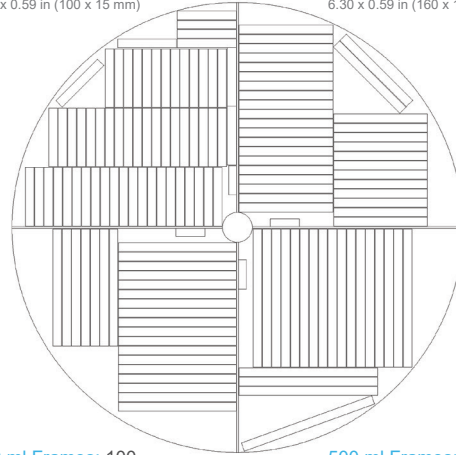
Square Mini Racks: 48
3.18 x 3.34 in (81 x 85 mm)

SBS Racks: 24
5.50 x 3.63 in (140 x 92 mm)

Blood Bag Inventory:

25 ml Frames: 244
3.94 x 0.59 in (100 x 15 mm)

50 ml Frames: 136
6.30 x 0.59 in (160 x 15 mm)



250 ml Frames: 100
7.88 x 0.59 in (200 x 15 mm)

500 ml Frames: 84
9.30 x 0.59 in (236 x 15 mm)

A220

E264

2 ml Vial Capacity

(Vials | Boxes | Racks)

Slim Vertical Racks	22,000 220 44	26,400 264 44
Boxes / Rack	5	6
Square Racks	15,600 156 12	18,000 180 12
Boxes / Rack	13	15

Blood Bag Capacity

(Bags | Frames | Bags / Frame)

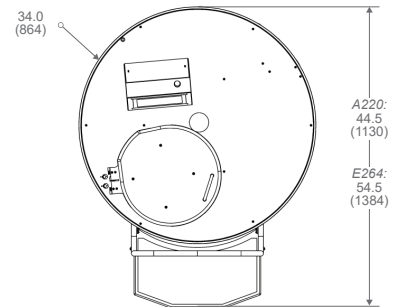
25 ml Cassettes	1,708 244 7	1,952 244 8
50 ml Cassettes	952 136 7	1,088 136 8
250 ml Cassettes	400 100 4	500 100 5
500 ml Cassettes	336 84 4	420 84 5

Outer Diameter - in (mm)	34.0 (864)	34.0 (864)
Overall Height - in (mm)	58.0 (1473)	62.0 (1575)
Usable Height - in (mm)	30.0 (762)	34.0 (864)
Step Height - in (mm)	9.5 (241)	9.5 (241) x 2
Liftover Height - in (mm)	39.5 (1003)	34.0 (864)
Neck Opening - in (mm)	12.6 (320)	12.6 (320)
Empty Weight - lbs (kg)	650 (295)	710 (322)
Working Weight* - lbs (kg)	1,060 (481)	1,180 (535)

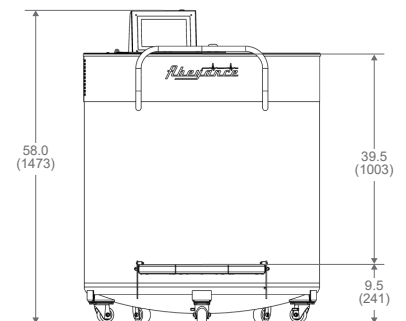
LN2 Capacity (Vapor Storage)	65 L
Hold Time < Tg	> 10 Days

Warranty	3 Years Parts & Craftsmanship 7 Years Vacuum
Safety Regulatory	UL / CSA STD 61010-1 LVD (2014/35/EU)

* 2 ml vial inventory and default vapor storage settings



A220



E264

